

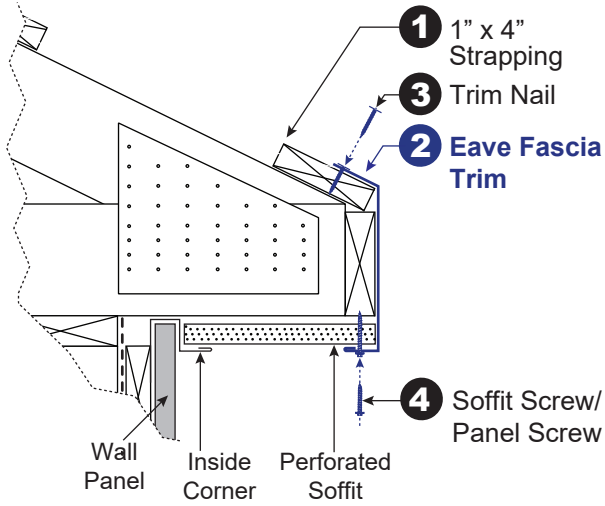
TRIM INSTALLATION

Numbers indicate suggested trim assembly sequence. This example is specific to the roof plan and conditions illustrated. The actual sequence may vary based on specific roof plan and conditions.

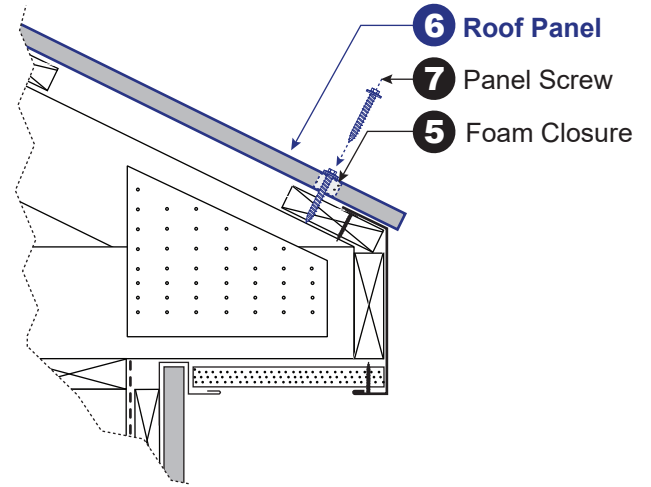
Phase One - Pre Panel Installation

Phase Two - Panel Installation

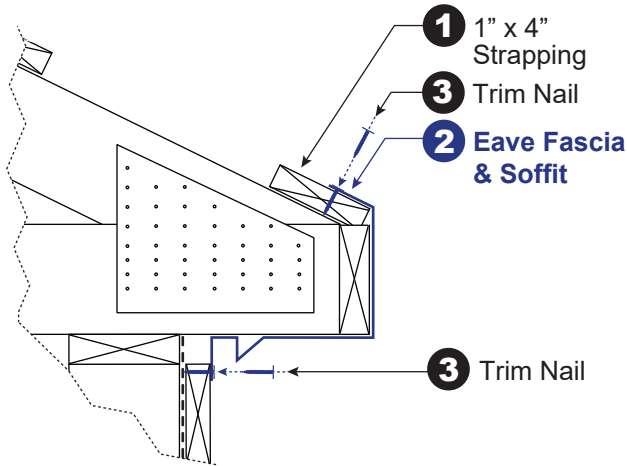
29-1311 Eave Fascia



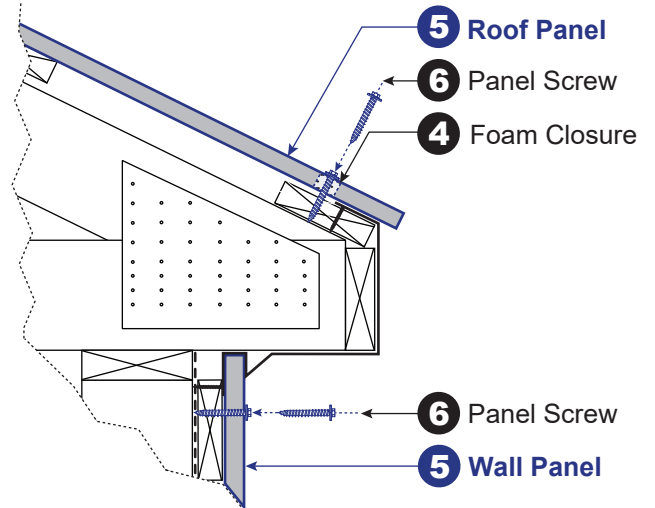
29-1311 Eave Fascia



29-1301 Eave Fascia & Soffit



29-1301 Eave Fascia & Soffit



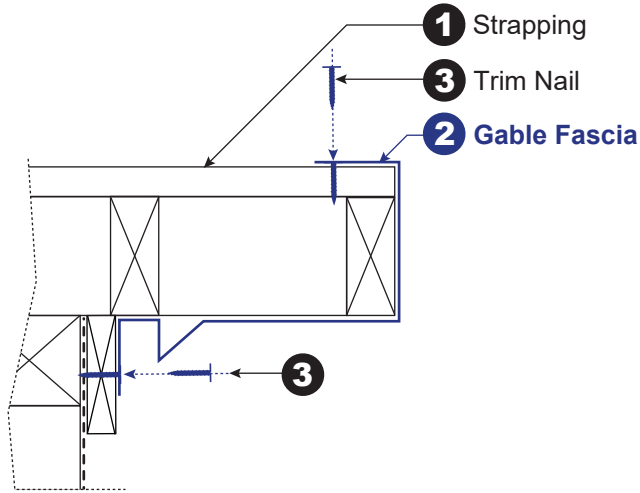
TRIM INSTALLATION

Numbers indicate suggested trim assembly sequence. This example is specific to the roof plan and conditions illustrated. The actual sequence may vary based on specific roof plan and conditions.

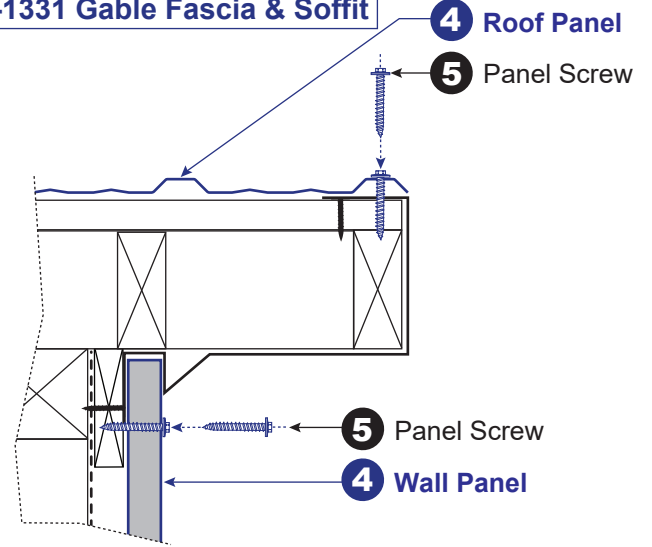
Phase One - Pre Panel Installation

Phase Two - Panel Installation

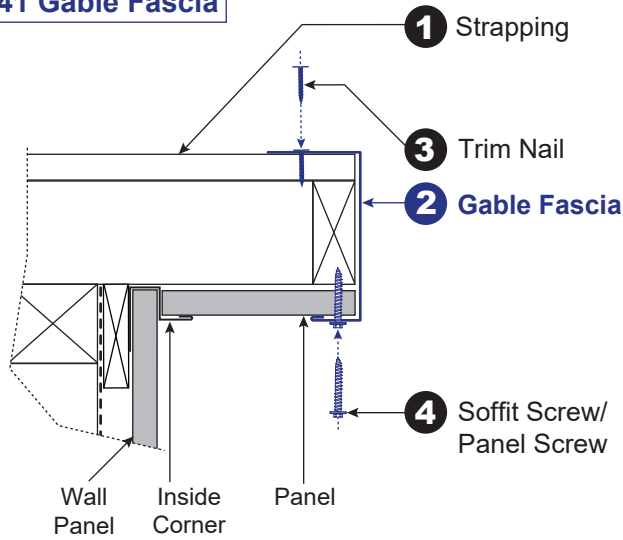
29-1331 Gable Fascia & Soffit



29-1331 Gable Fascia & Soffit



29-1341 Gable Fascia



29-1341 Gable Fascia

